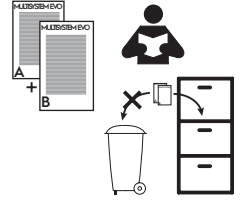


# PANZERI

## Astoria In

9500-2/B-ST5-E



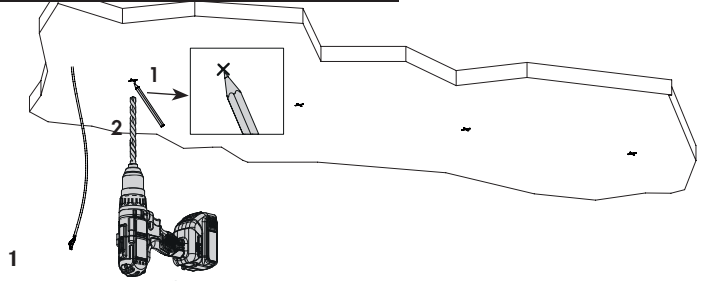
**9500-2/B-ST5-E**

**USE**

Trimless

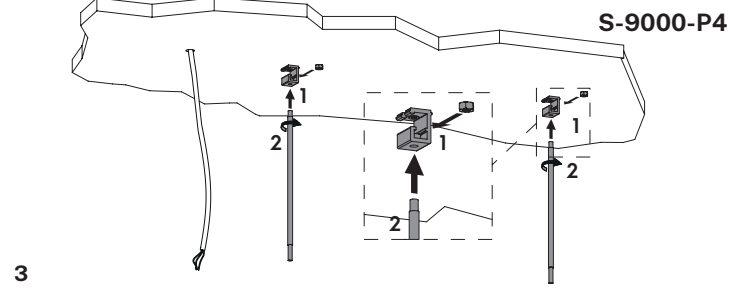
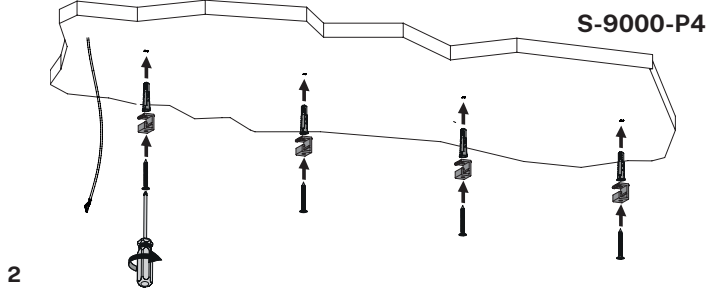
CODE	L mm [ft]
9500-2/...-ST5-E	2000 [3.28']

### 1 - FIXING

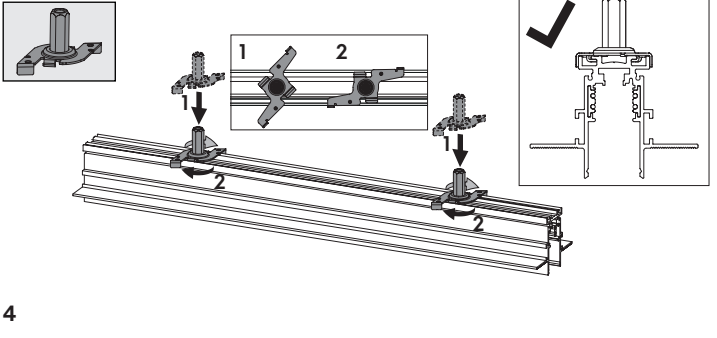


>250	500	500
[>0.82']	[1.64']	[1.64']

**MAX LOAD**



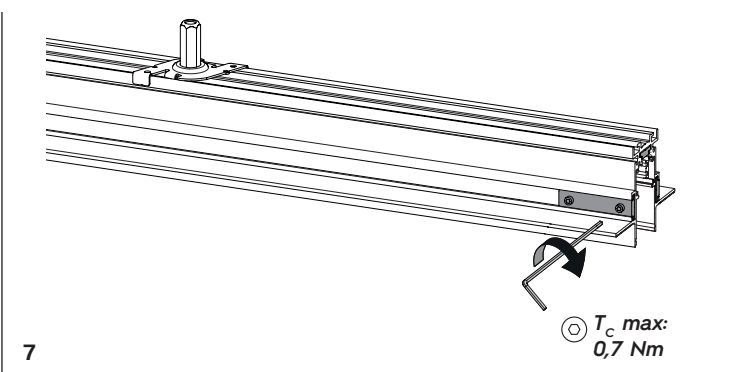
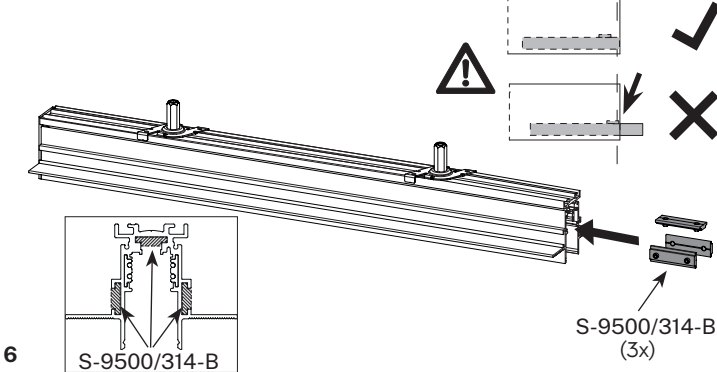
### S-9000/118

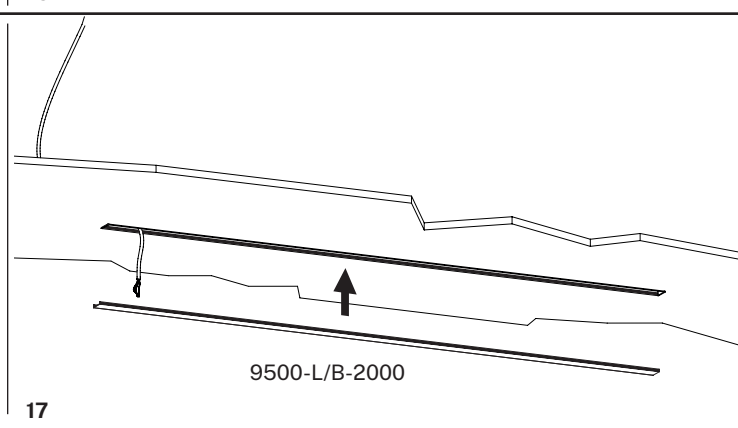
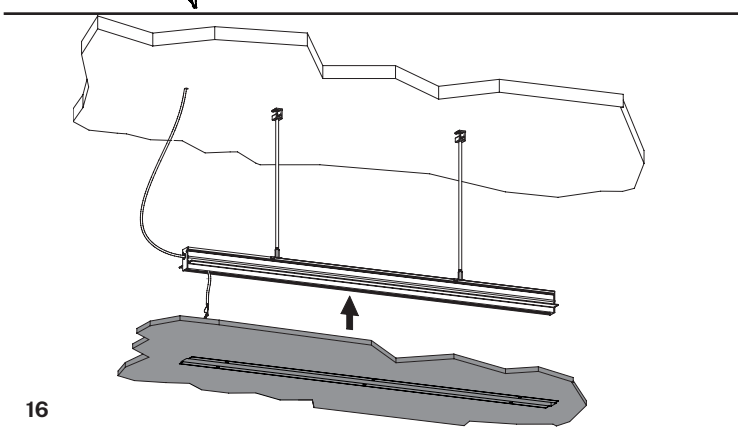
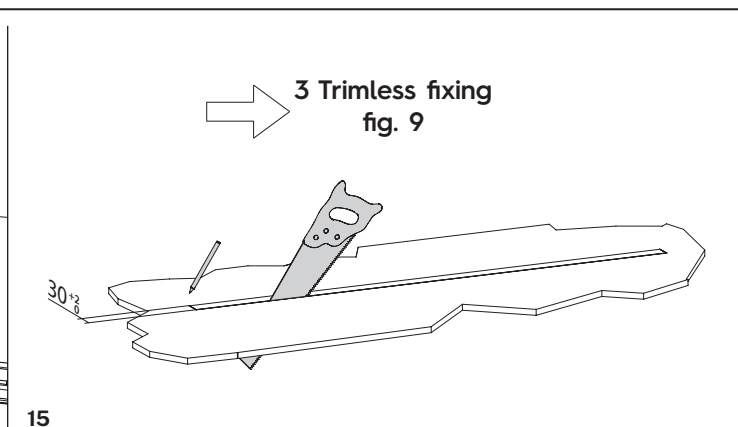
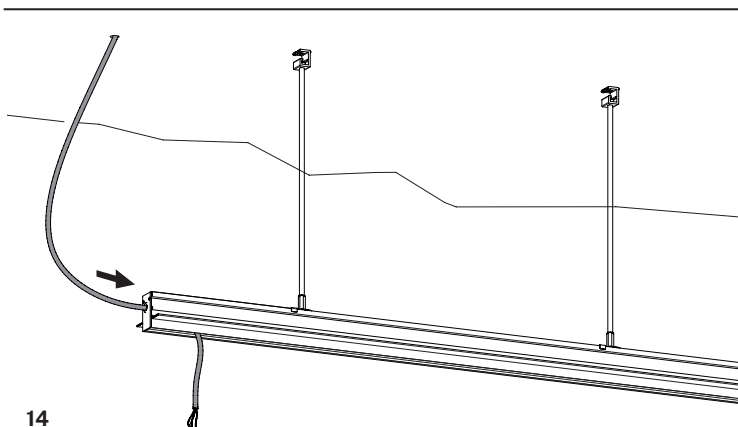
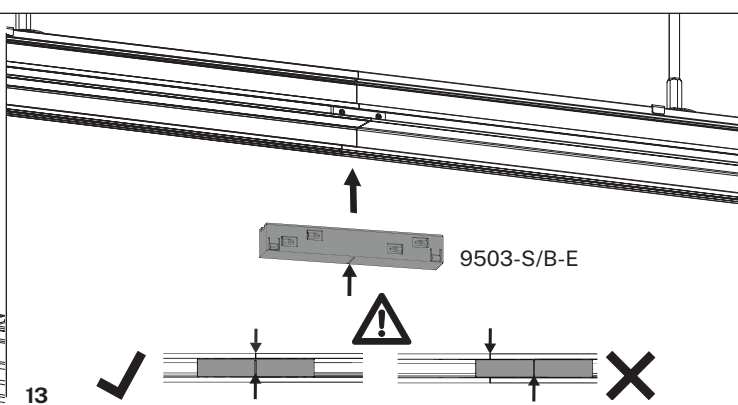
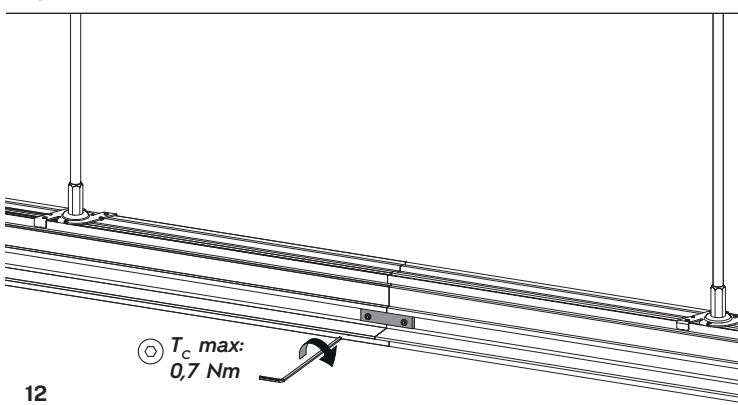
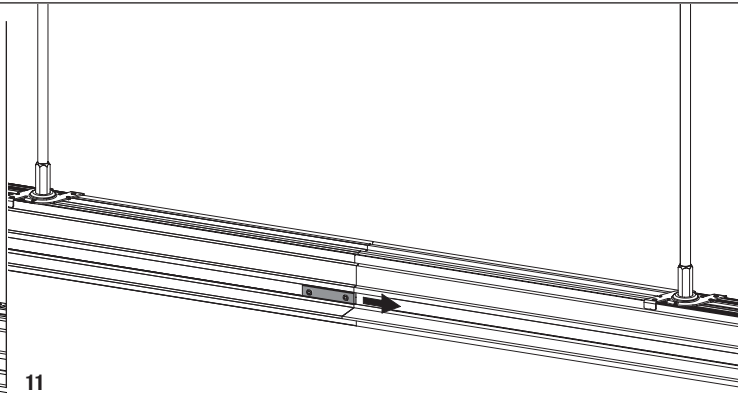
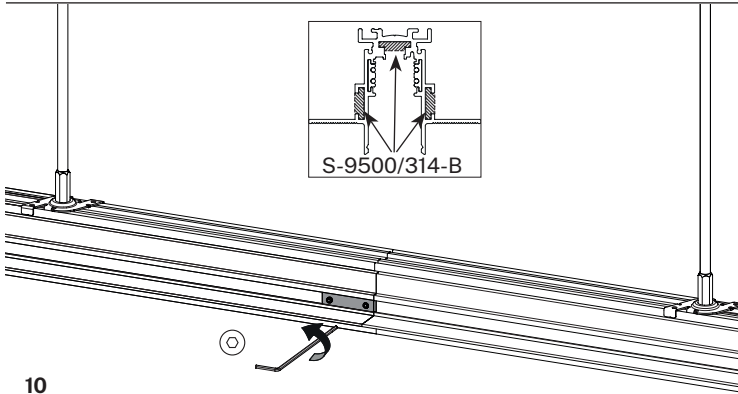
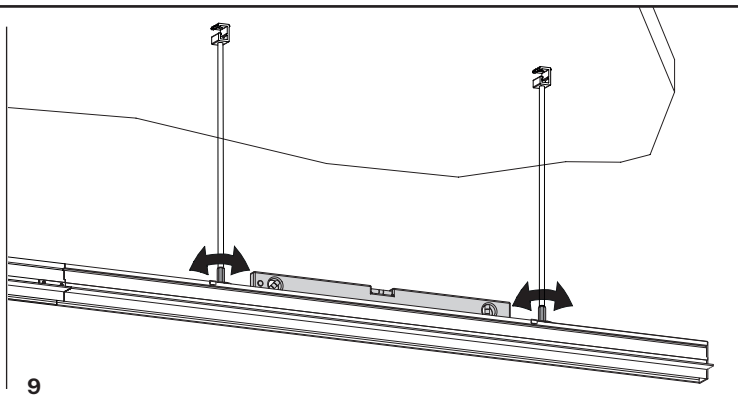
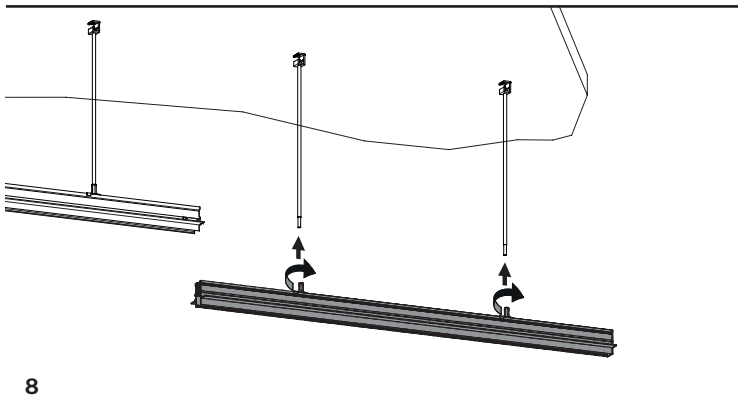


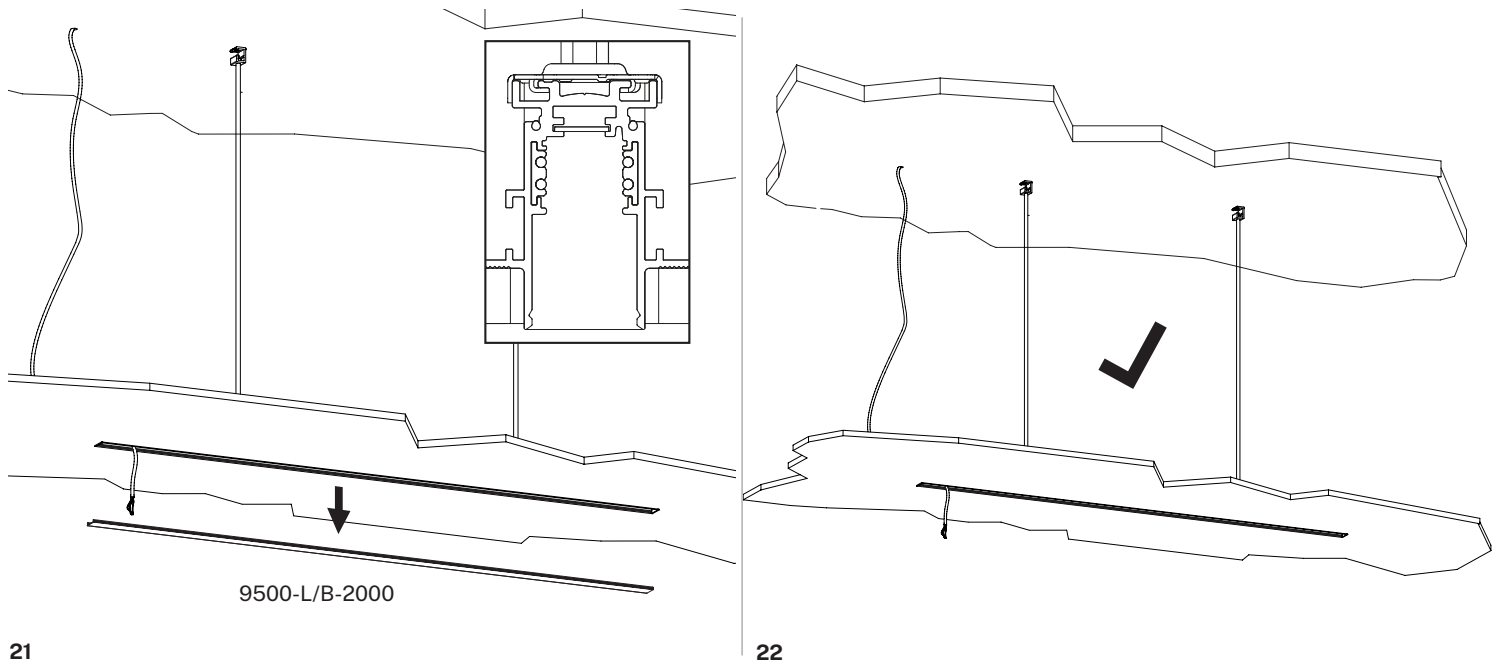
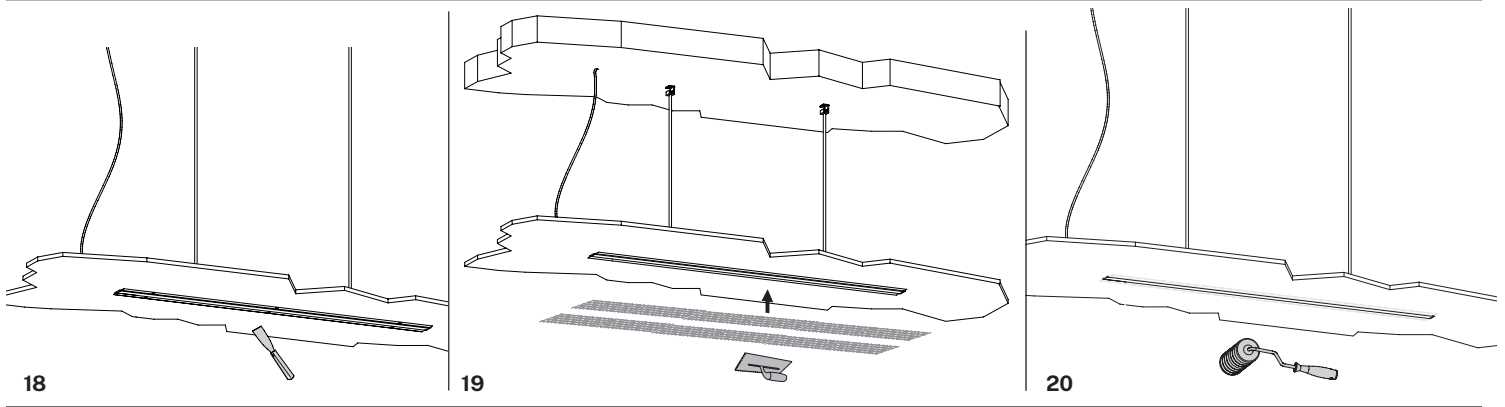
### S-9504/ST2-B-F

**! POLARITY!**

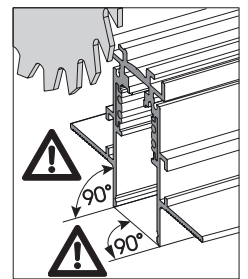
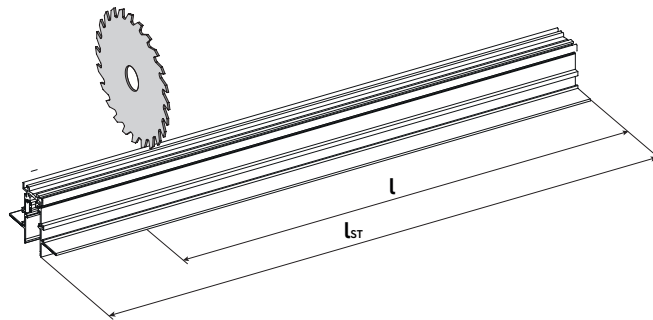
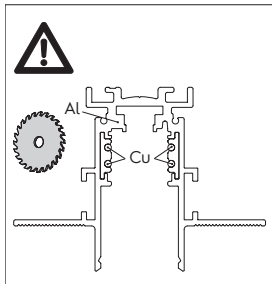
$\oplus T_c \text{ max: } 1 \text{ Nm}$







## 2 - CUTTING



1

